

Versatile and reliable side pull magnetic gate latch

LIFETIME
WARRANTY

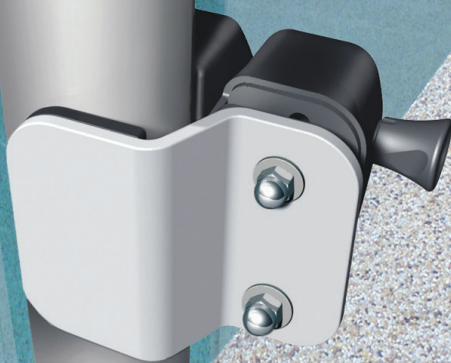


Side Pull 'Lockable'

D[®] MAGNALatch[®] SIDE PULL



Glass and round post



Gate-stop anti-slam device

D[®] MAGNALatch[®] VIZAGE[®]



Stainless steel non-locking

The original reliable magnetic latch

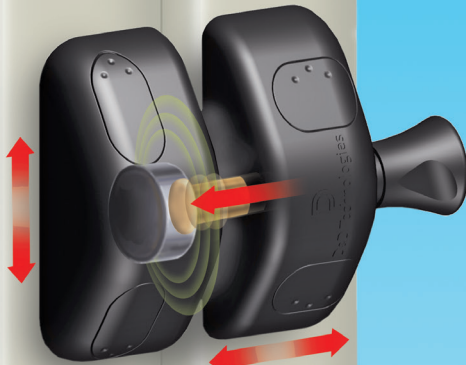
- Small & unobtrusive - easy to install
- Lockable and non-lockable models
- Model for round-post-to-glass gates
- Vertical & horizontal adjustment
- Will not rust or corrode
- No visible fasteners (blind fixing from rear)



D&D Technologies

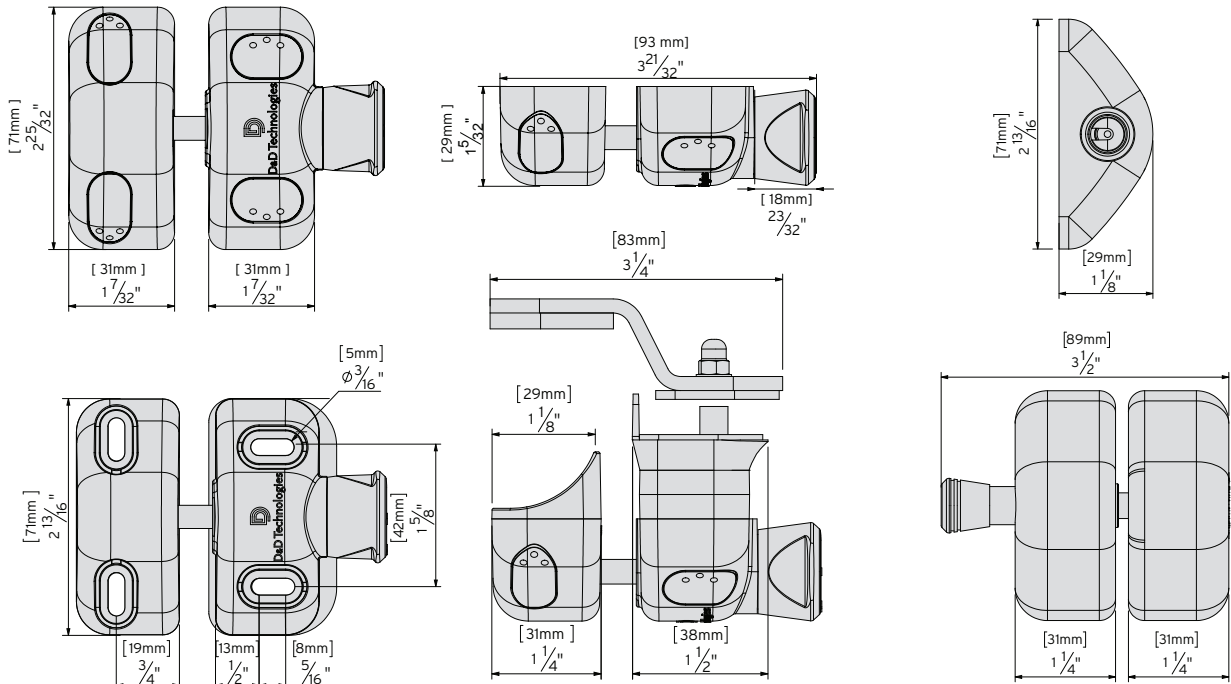
World's most trusted gate hardware

Easy horizontal and vertical adjustment at any time helps overcome gate sag or ground movement.



Product Dimensions

MAGNALATCH SIDE PULL				MAGNALATCH VISAGE		
CODE	MODEL - FEATURE	IDEAL GAP	GAP VARIANCE	CODE	FINISH	IDEAL GATE GAP
MLSPS2L	Key Lockable Side Pull	3/8" (10mm)	5/16"–11/16" (7-17mm)	MLSPS2VPSS	Polished Stainless Steel	5/16" (8mm)
MLSPS2	Side Pull	3/8" (10mm)	5/16"–11/16" (7-17mm)	MLSPS2VBSS	Brushed Stainless Steel	5/16" (8mm)
APPLICATION						
MLSPS2LGHK	Lockable Glass Kit	Fits 5/16"–3/8" (8–10mm) glass				



www.ddtechglobal.com

Unit 6, 4-6 Aquatic Drive, Frenchs Forest NSW 2086
Tel: (02) 9454 7888 Email: sales@ddtech.com.au